

29.09.2023

Bano height adjustable cistern and toilet

Care and maintenance documentation



BANO AS

Administrasjon / Logistikk / Lager
Utstillingsplassen 3
6823 Sandane

Telefon: +47 57 86 98 00
post@bano.no

5970S3-EL Bano height adjustable cistern/toilet- Electrical

5970-MA Bano height adjustable cistern/toilet- Manual

5970-22 Bano extension for cistern, 50 mm

5970-23 Bano extension for cistern, 100 mm

Product information:

Bano cistern with electrical engine (5970S3-EL) is a wall bracket for height adjustment of the toilet bowl. The bracket is paired with a 5965 Bano toilet bowl 530 mm or a 5975 Bano toilet bowl 700 mm.

The bracket can be adjusted 200 mm by aid of the electrical engine.

The adjustment is operated with a control panel mounted above the flush button.

Bano cistern (5970-MA) is a wall bracket for manual height adjustment for the toilet bowl. The bracket is paired with 5965 Bano toilet bowl 530 mm or 5975 Bano toilet bowl 700 mm. The bracket can be adjusted 200 mm manually. This is adjustment is operated by a manual crank which can be removed.



Technical information and materials

5970S3-EL and 5970-MA: Main Frame: Corrosion Treated Steel, electrically galvanized

Diffuser Cover: ABS / PMMA plastic with color code RAL9016.

5970S3-EL: Power supply: Linak: CB8001T50-0010U In: 230 V AC /50Hz, I In: Max. 0.63A, U Out: 24V DC, max. 120 VA IPX5 Lift actuator, LINAK LA 27 2x2500N Environment IPX6 Trap protection: Linak Spline

Power connection: Wall mounted junction box IP44 min. Connection must be done by electrician.

Lifting speed: 12mm/s

5970S3-EL and 5970-MA: Water connection: 1/2" connection performed by qualified person.

Max static weight load, WC: 500 kg Max static weight load, grab bar: 250 kg

Max weight load during height-adjustment: 300 kg.

Function trouble: If the electric height adjustment cistern functions does not work, it has to be reset. Hold switch panel button "down" within 10 seconds. Cistern will then start to go down as part of its reset function. When the cistern is in the lowest position the system is reset, and will operate normally. If description above does not work, consult your nearest Bano department.

Care and maintenance

A standard mild detergent can be used for cleaning. Use a soft sponge or cloth together with a mild detergent. Spray onto object and wipe away with a damp sponge or cloth.

Detergents which contain alcohol and are used in the pharmaceutical industry are OK.

Bano recommends regular use of the height adjustment. If the height-adjustment is not functioning, please contact Bano for assistance and guidance.

Warning

Make sure never to use abrasive cleaners or detergents containing strong chemicals, abrasive powders, chlorine, acids, methanol, methylated spirits, mineral spirits or toluene.

Waste management and recycling

This product can be recycled. Electrical components can easily be detached and submitted for recycling in accordance with government requirements.

Thank you for taking the time to read these instructions carefully – it is time well spent!

Standard tilbehör

5965 Bano toilet bowl 530 mm*

5970-03 Bano toilet seat with lid*

5603 Bano toilet grab bar*

Alternative accessorie

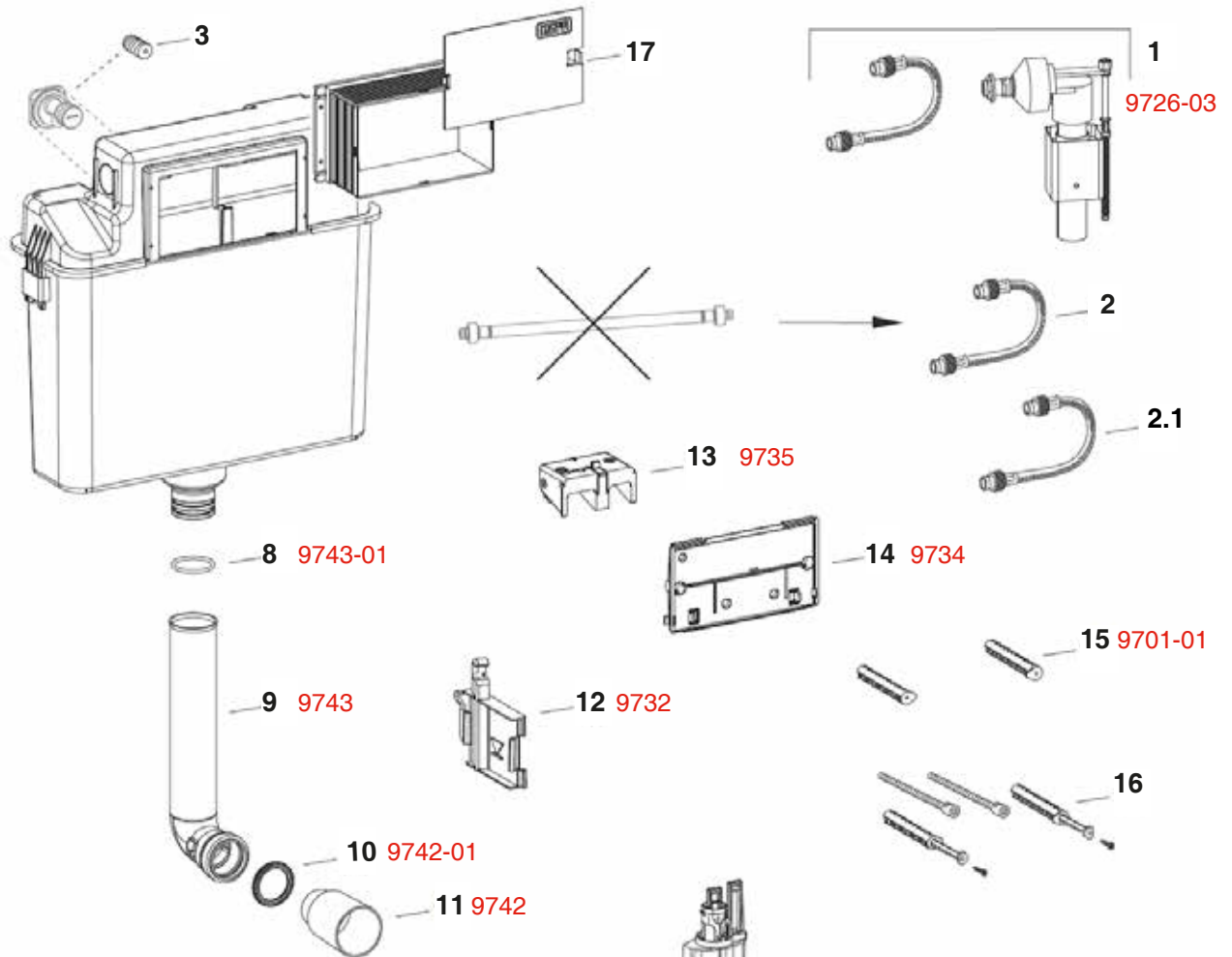
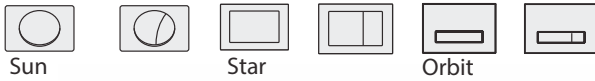
5975 Bano toilet bowl 700 mm*

*See separate care and maintenance documentation

Bano cistern reservoir parts

Cistern Sanicontrol 6 l start/stop + dual – flush
technical (from 01-2010) Type A31

3-3



1	9726-03 Bano inlet valve
2	Bano reinforced hose
3	Bano 1/2" stopcock for cistern
4	9713-02 Bano outlet valve, complete
5	9741 Bano basket for outlet valve
6	9733-01 Bano outlet valve, seal
7	9741-01 Bano seal for basket outlet valve
8	9743-01 Bano o-ring for 90 gr. outflow pipe
9	9743 Bano 90 gr. outflow pipe
10	9742-01 Bano seal 44 mm for outflow pipe
11	9742 Bano cover for outflow pipe
12	9732 Bano inlet valve holder
13	9735 Bano fixture plate for actuator pin
14	9734 Bano transparent mounting plate
15	9701-01 Bano bolts
16	
17	

